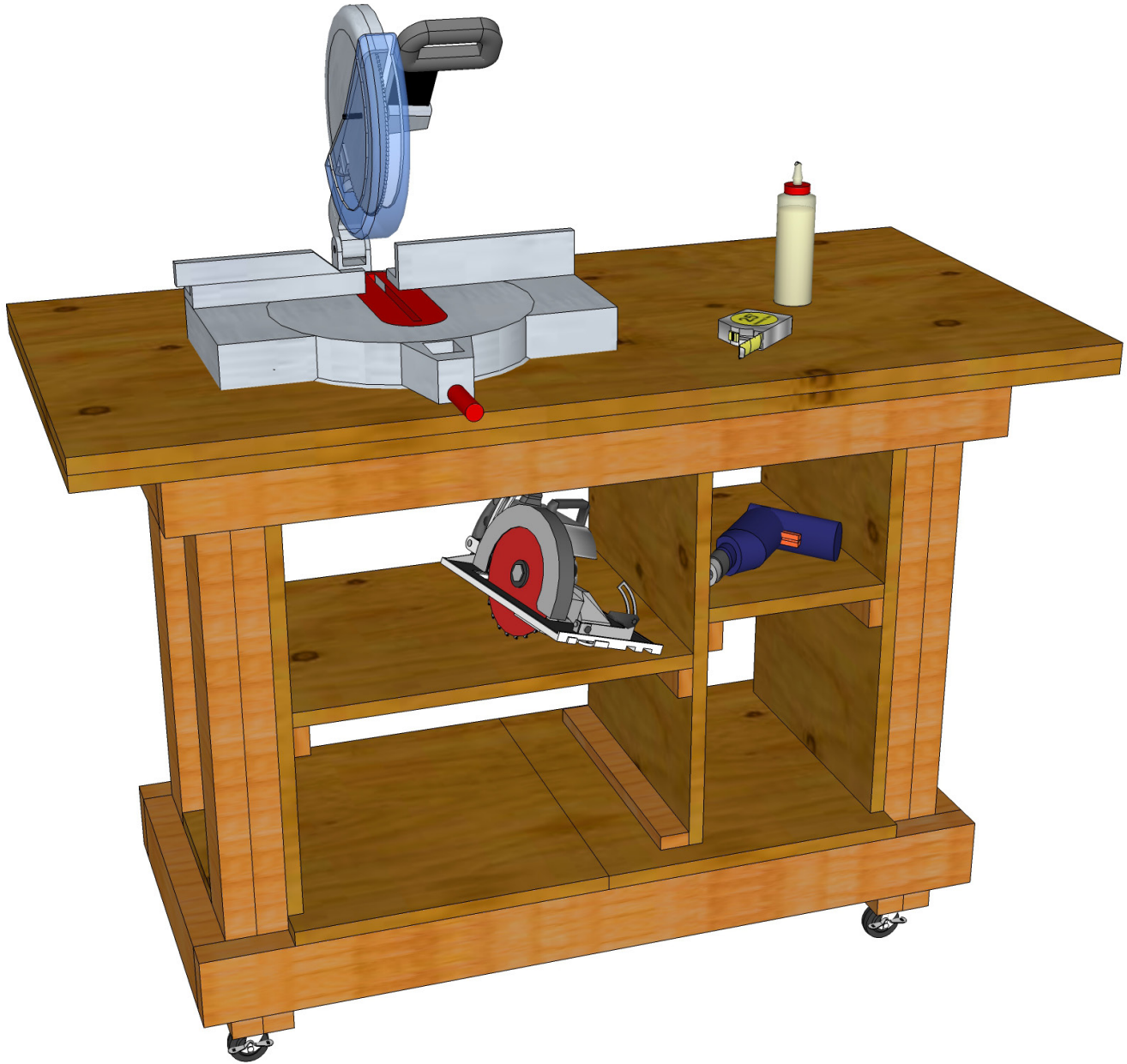


The BMW (Basic Mobile Workbench)

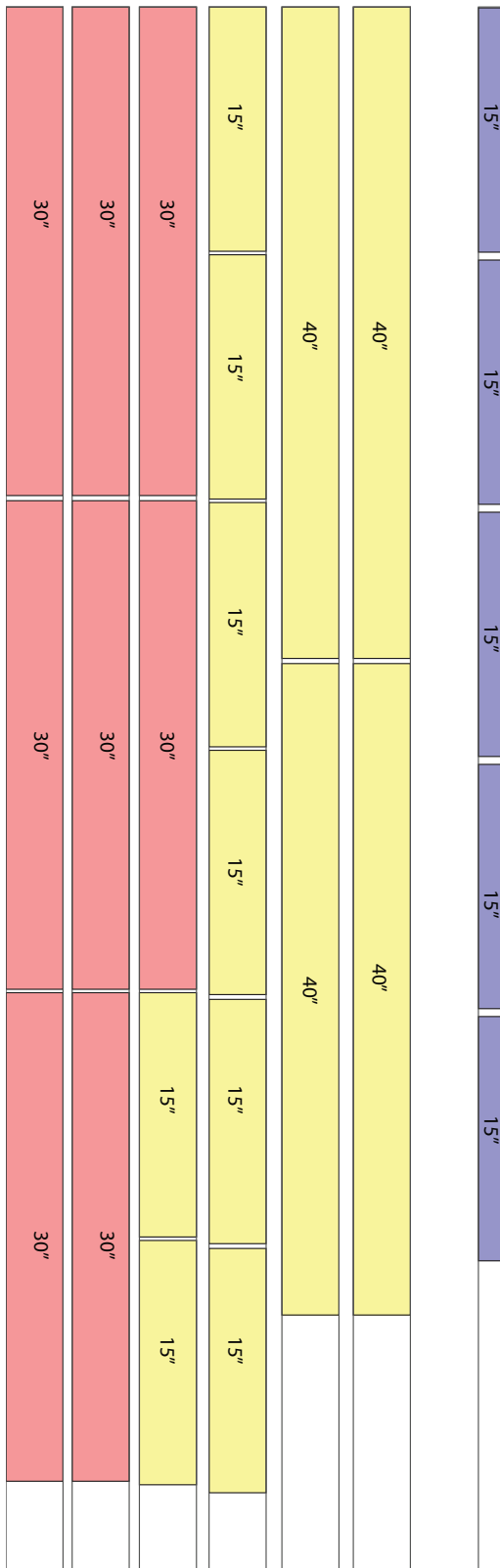


The BMW (Basic Mobile Workbench)



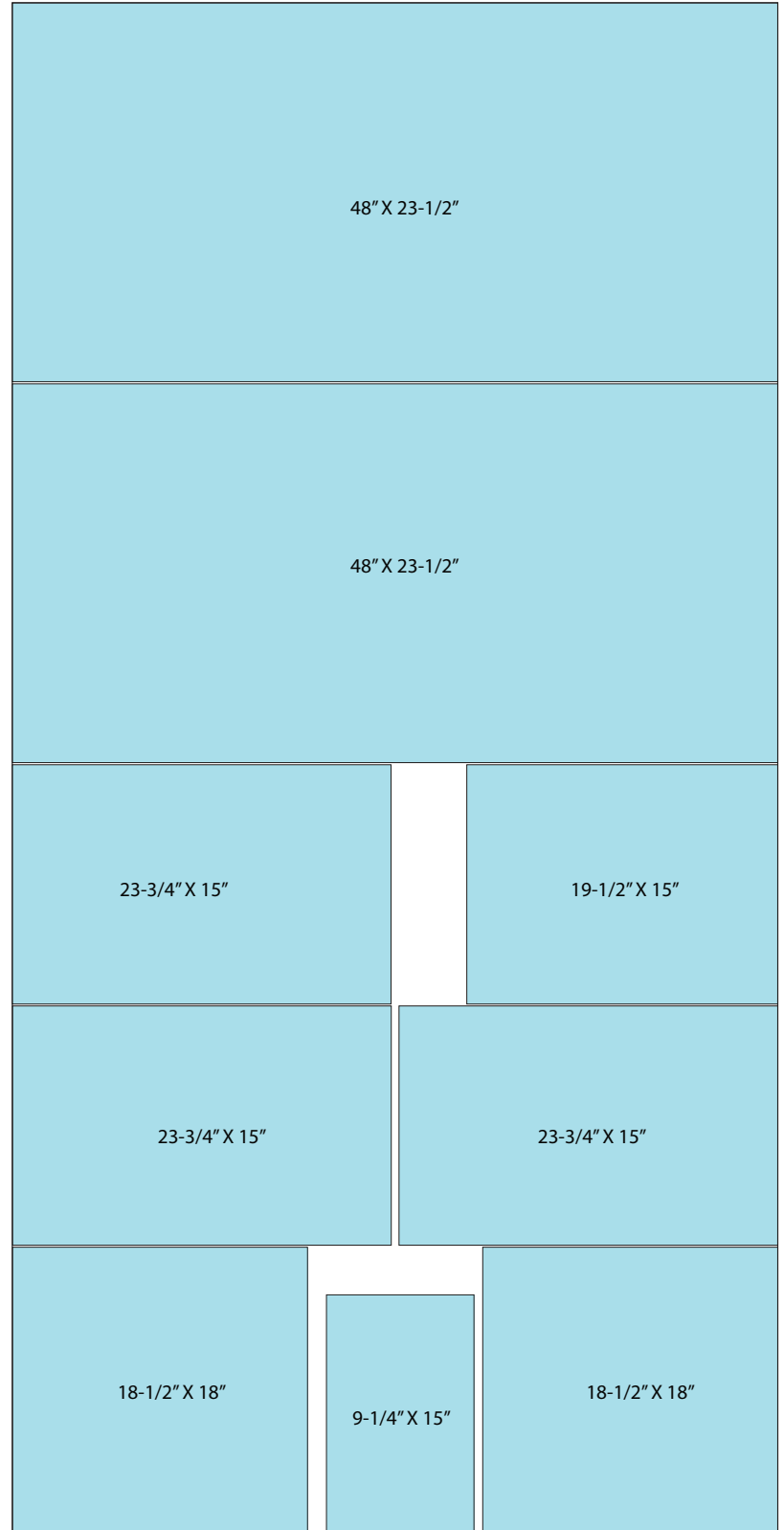
The BMW (Basic Mobile Workbench)

Cut list



1-1/2" x 3-1/2" boards
(2 X 4's)

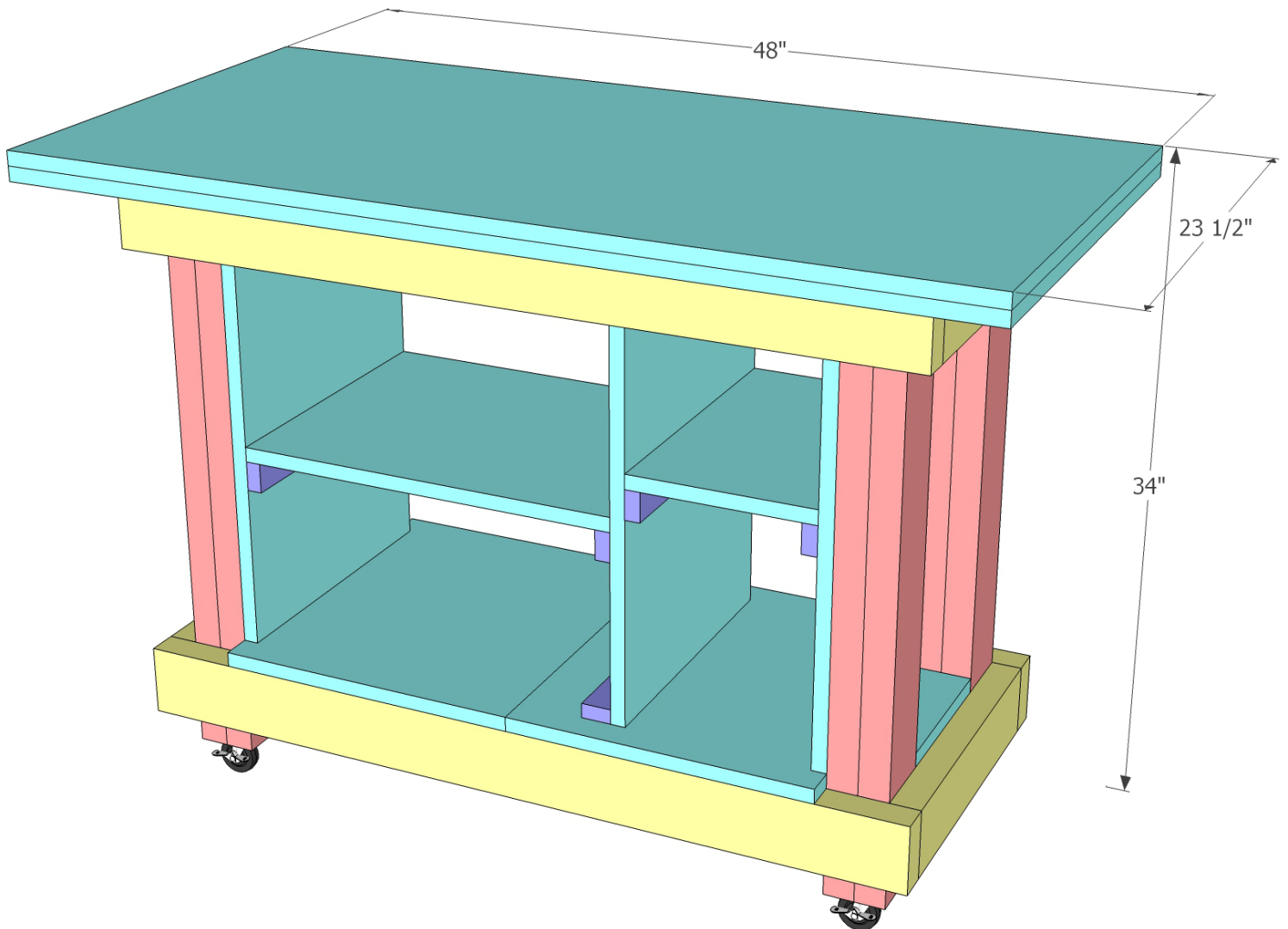
3/4" x 1-1/2" board
(1 X 2)



3/4" x 4' X 8' plywood

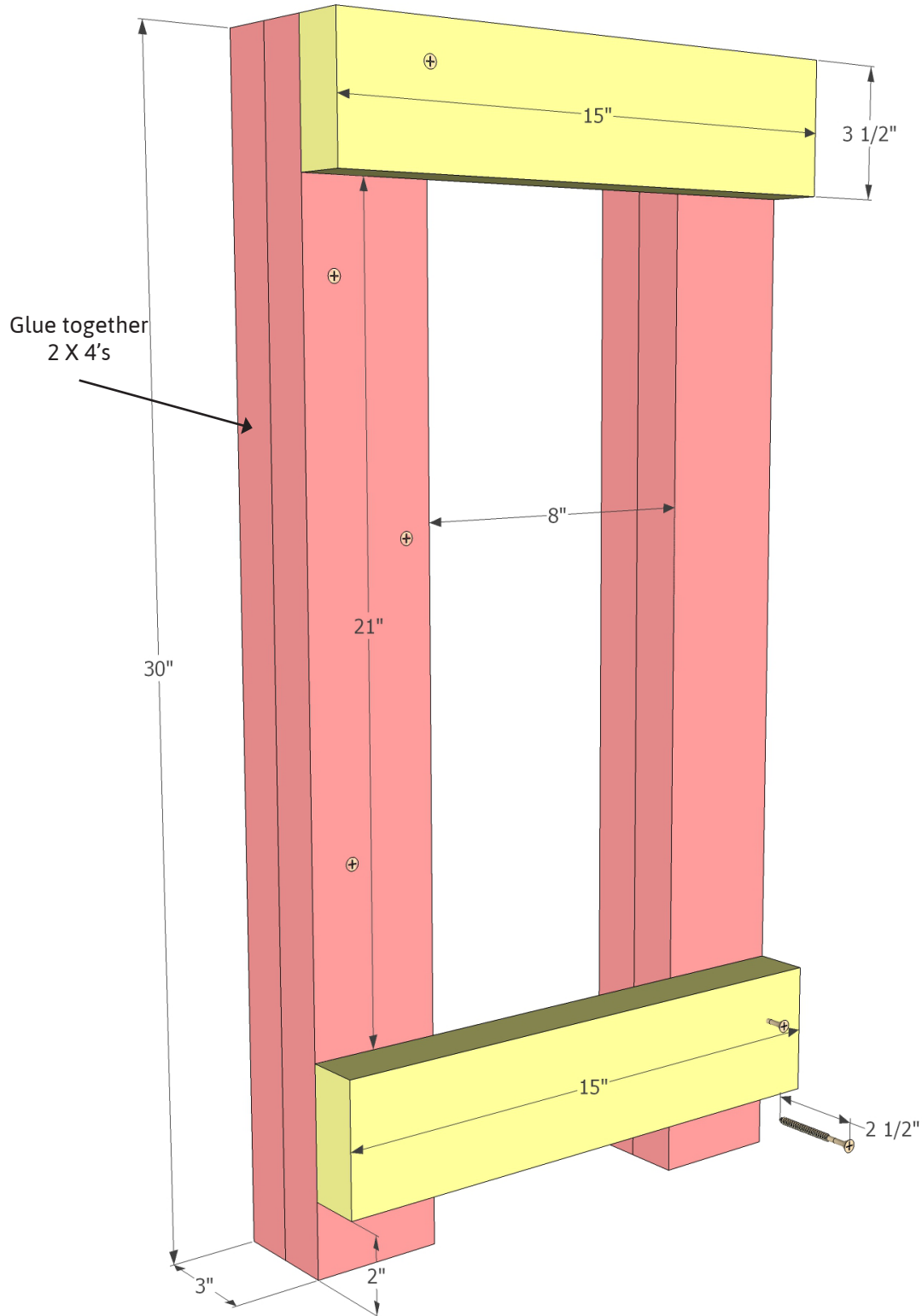
The BMW (Basic Mobile Workbench)

Overall dimensions



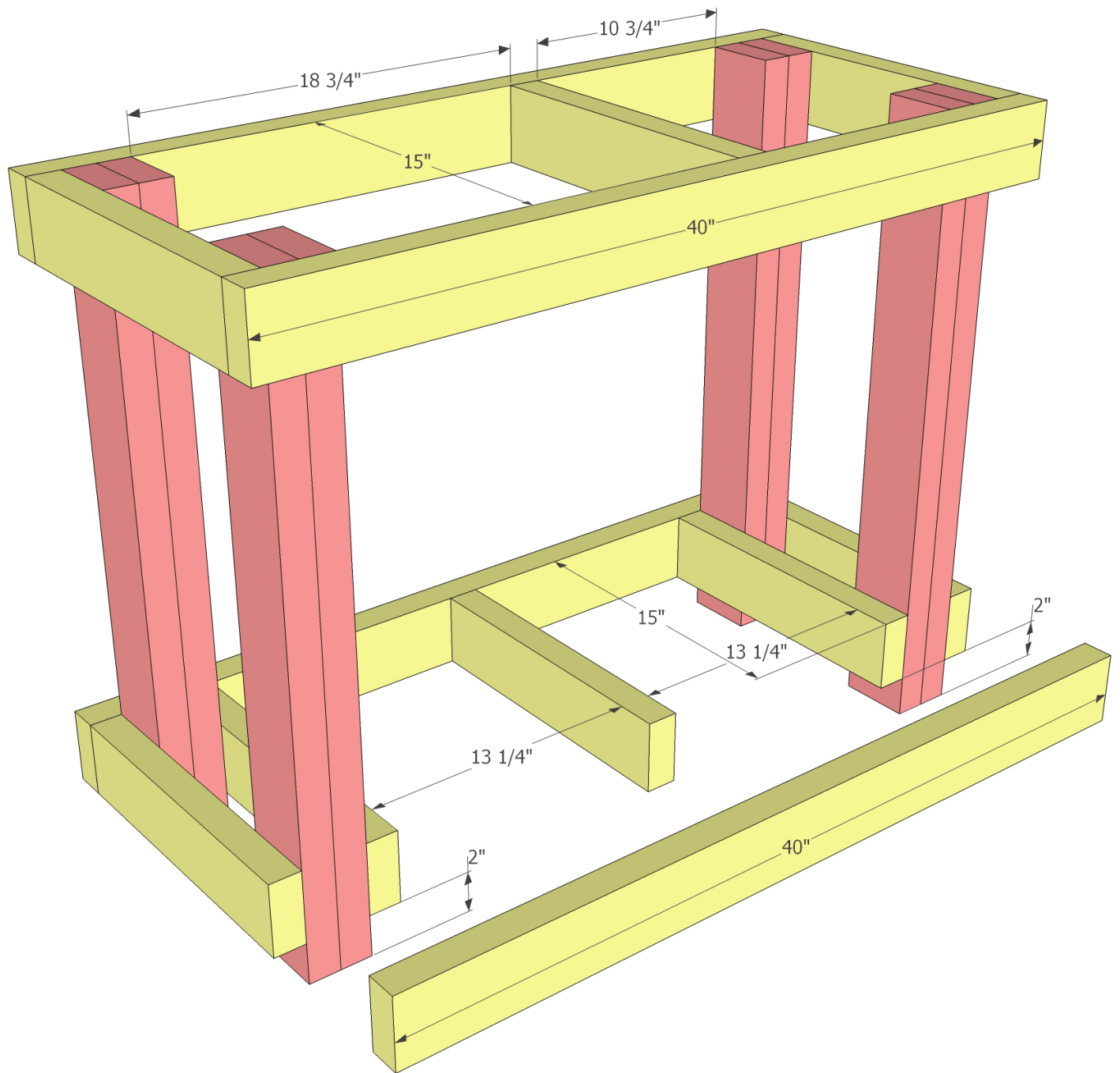
The BMW (Basic Mobile Workbench)

Leg assemblies. Make 2.



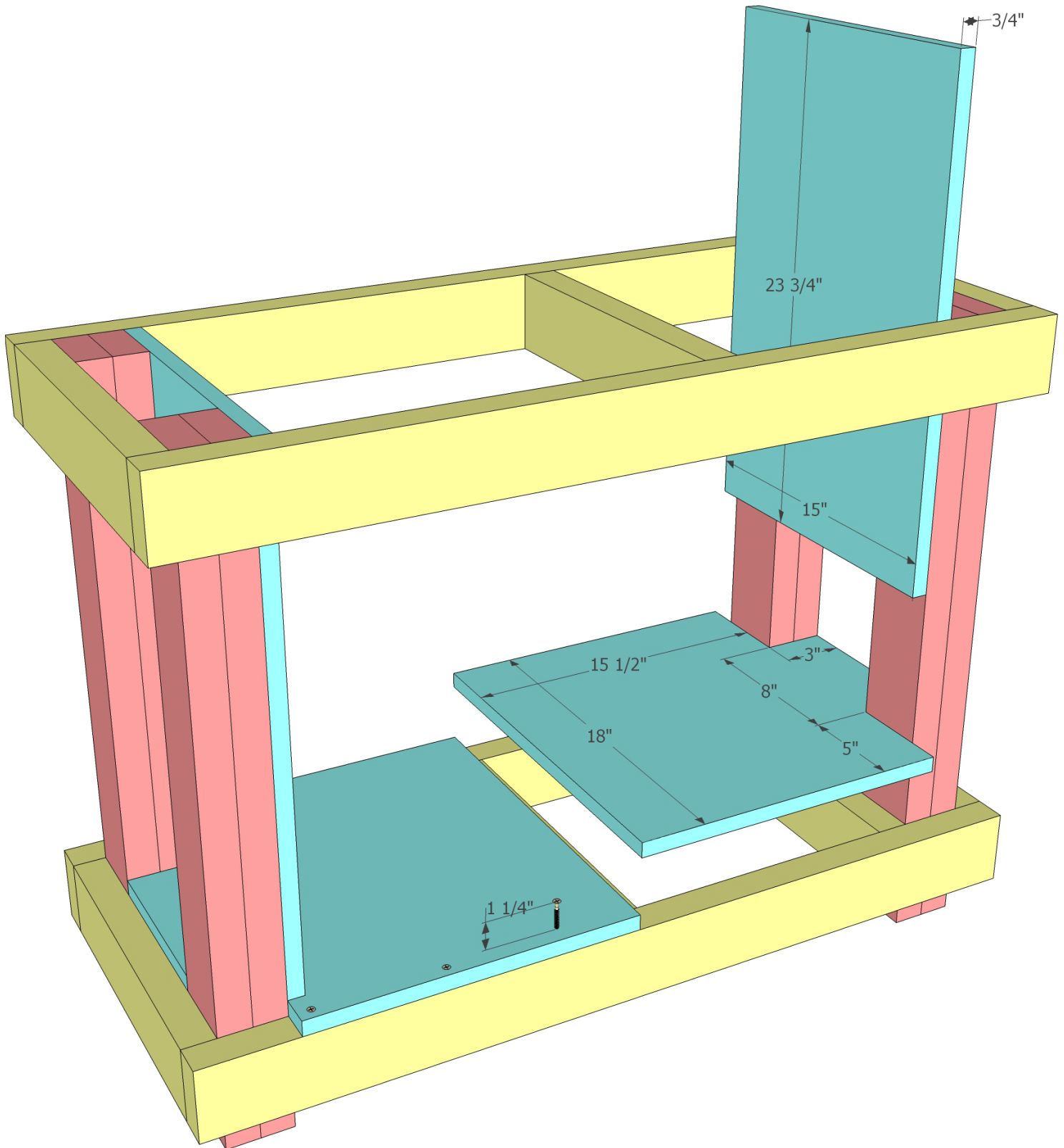
The BMW (Basic Mobile Workbench)

Assemble the frame



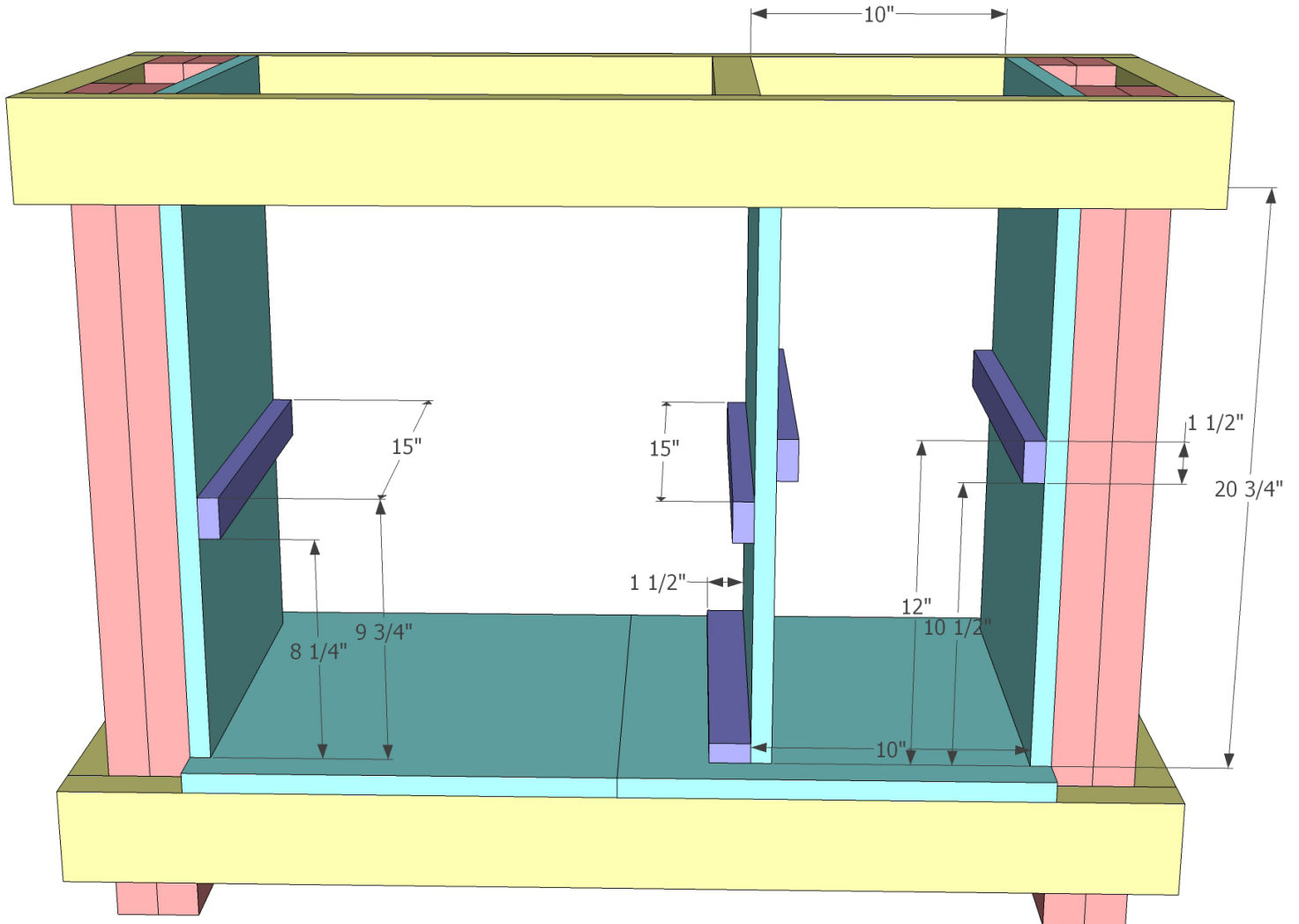
The BMW (Basic Mobile Workbench)

Drop in bottom shelf
halves and two sides.



The BMW (Basic Mobile Workbench)

Shelf supports.
Modify the positions to fit your needs.



The BMW (Basic Mobile Workbench)

Attach shelves.
Laminate 2 plywood pieces for top and screw in place.
Attach casters.

